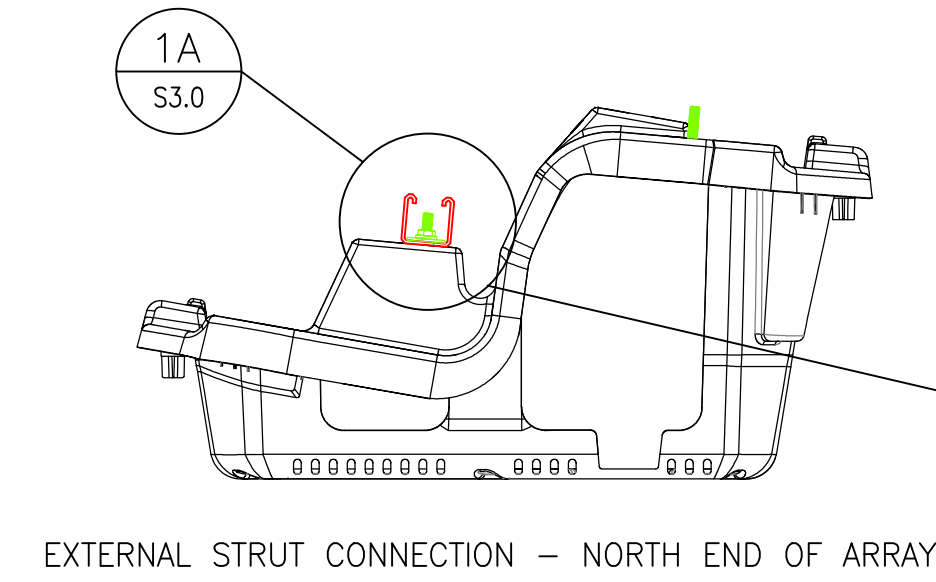


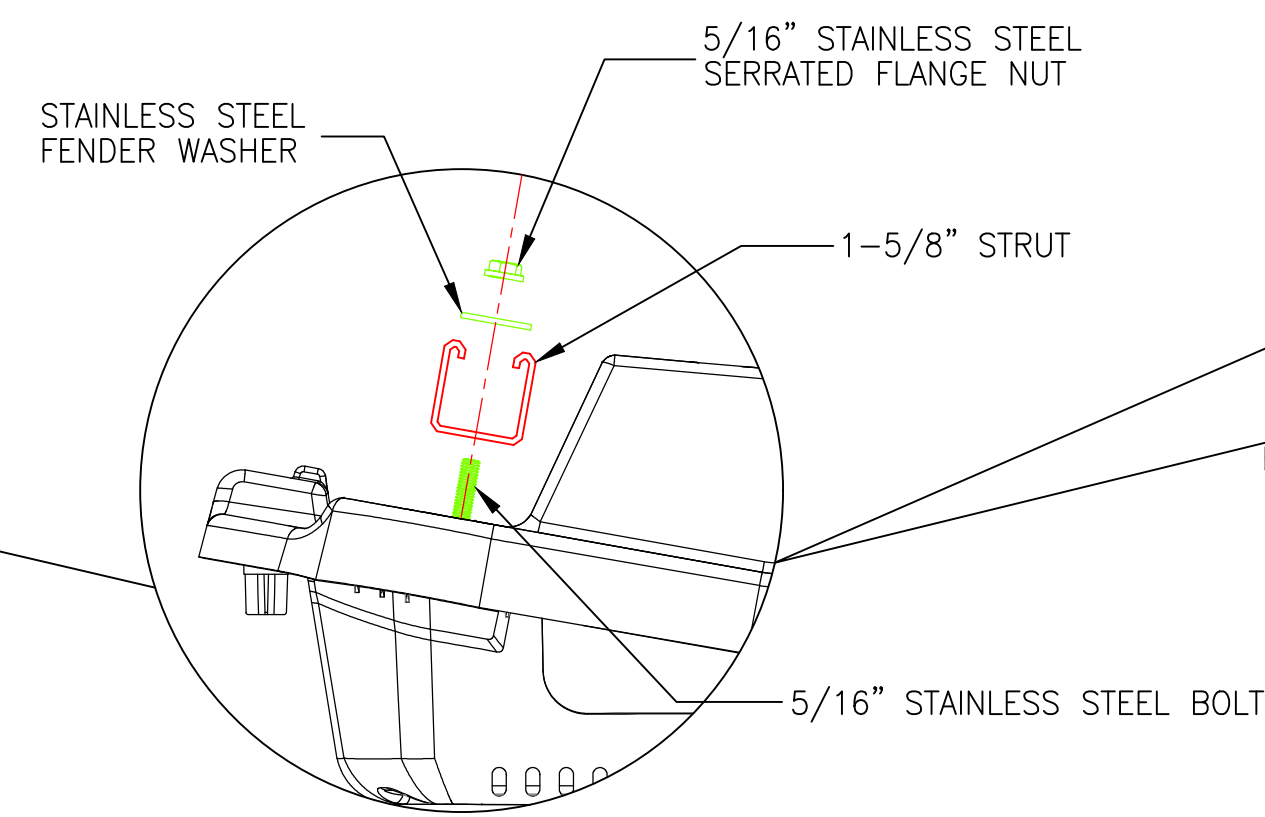
1 EXTERNAL CORNER SUPPORT DETAILS  
S3.0 NTS

FASTRACK AT 5°



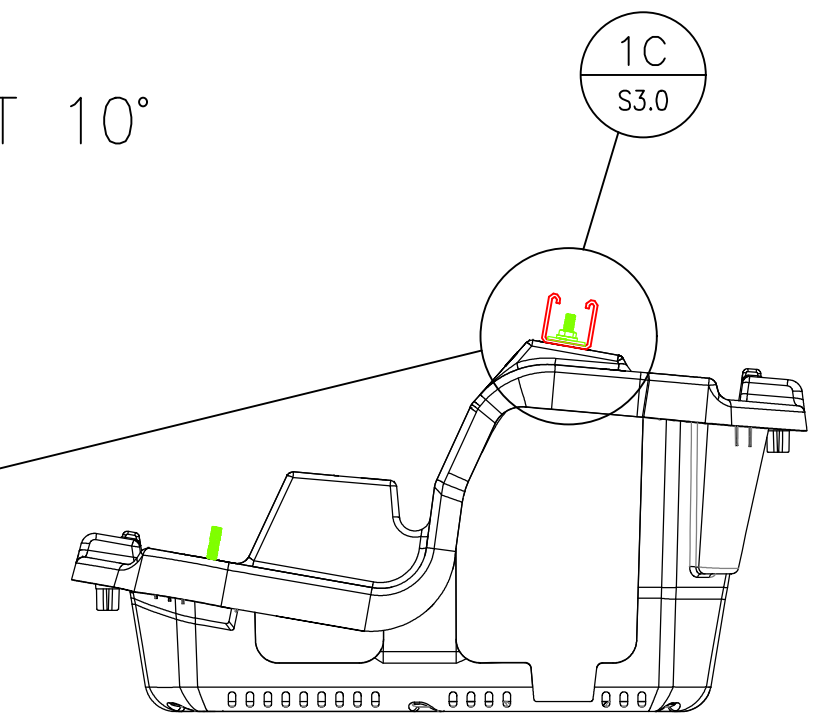
EXTERNAL STRUT CONNECTION - NORTH END OF ARRAY

\*NOTE: EXTERNAL STRUT ON SOUTH END OF ARRAY FOR FASTRACK AT 5° ASSEMBLY, BOLTS MUST BE MOVED TO THE 10° MOUNTS (HIGH SIDE OF FASTRACK) FOR CLEARANCE OF THE STRUT CONNECTION (SEE FASTRACK AT 10° SOUTH END OF ARRAY)



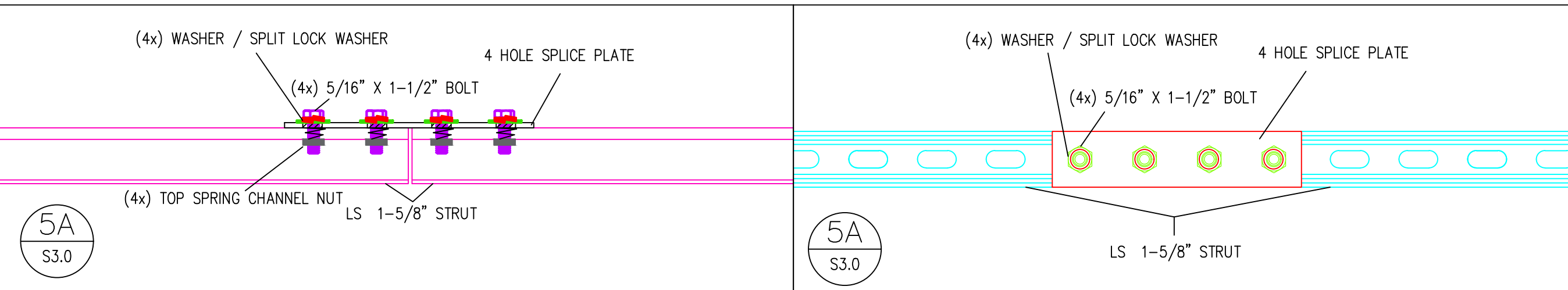
EXTERNAL STRUT CONNECTION - NORTH END OF ARRAY

FASTRACK AT 10°

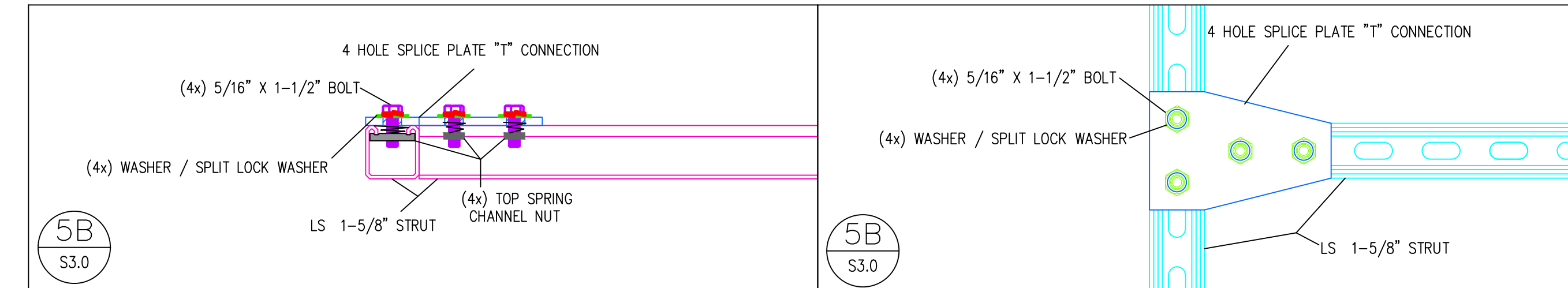


\*EXTERNAL STRUT CONNECTION - SOUTH END OF ARRAY

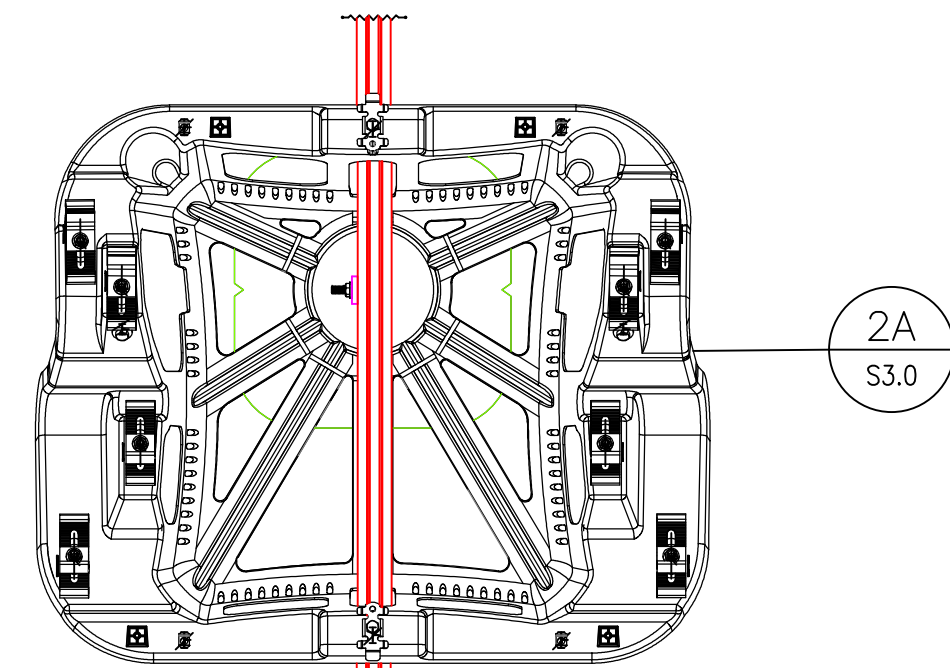
LINEAR SPLICE PLATE CONNECTION SIDE / TOP



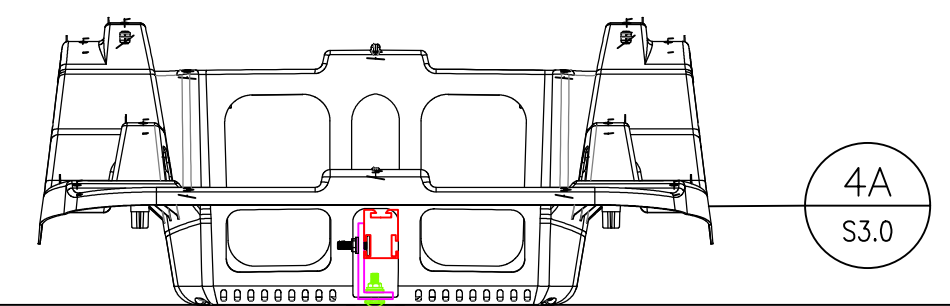
5 CORNER SUPPORT SPLICE DETAILS  
S3.0 NTS



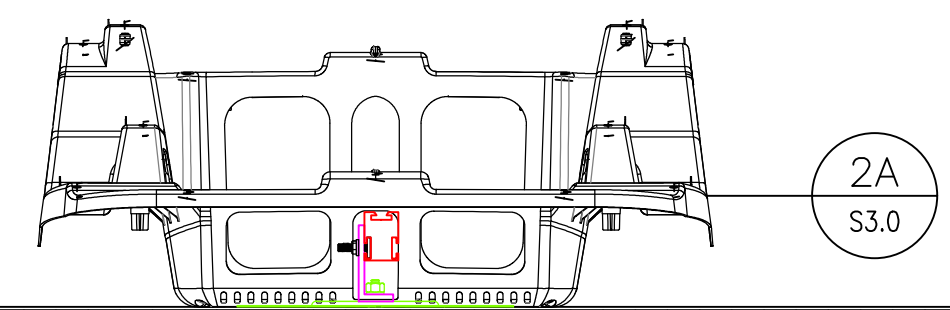
INTERNAL CORNER SUPPORT RUNNING NORTH-SOUTH  
ALTERNATE VIEWS



TOP - ANCHOR/STRUT/FASTRACK CONNECTION

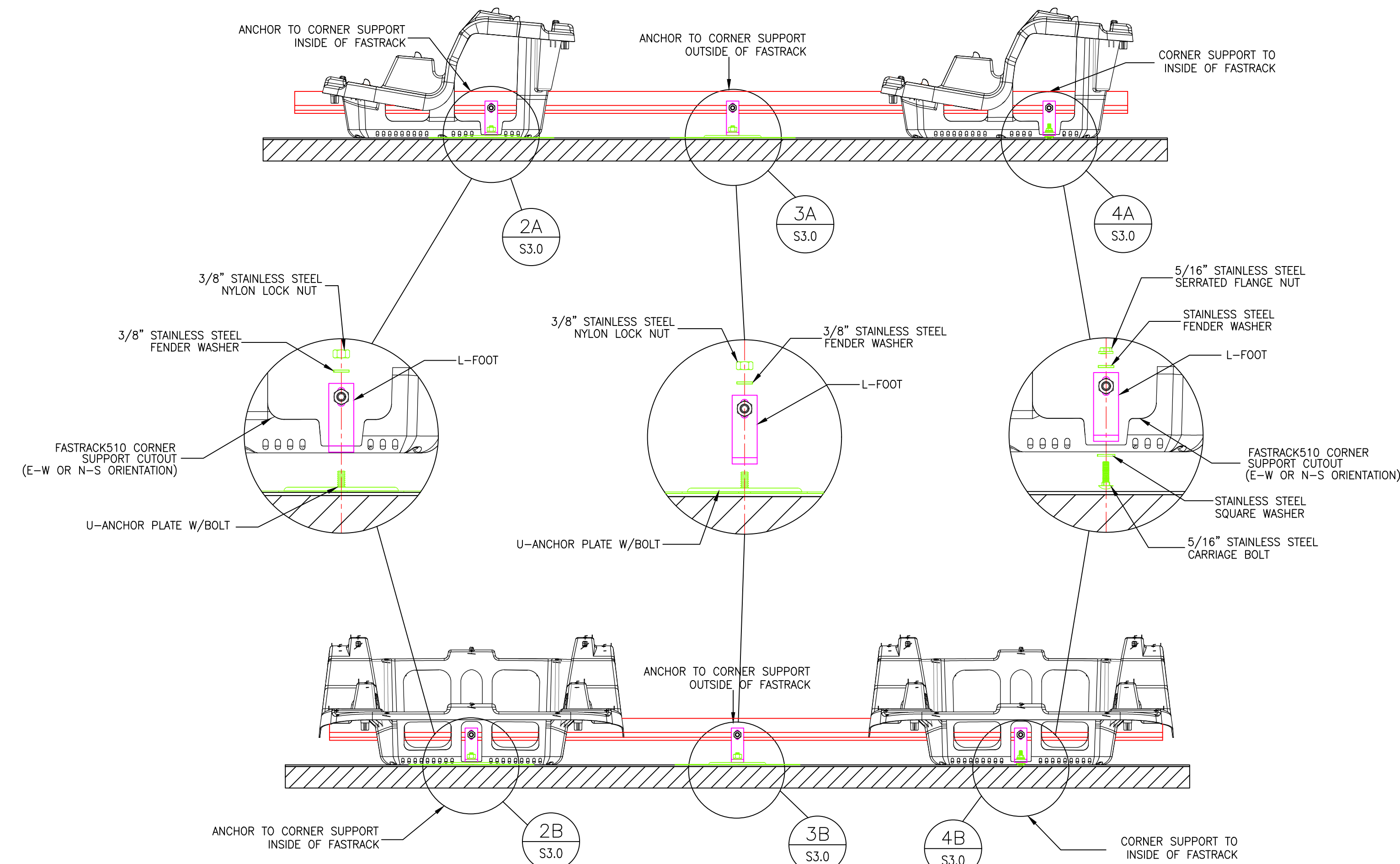


FRONT - STRUT ONLY CONNECTION



FRONT - ANCHOR/STRUT/FASTRACK CONNECTION

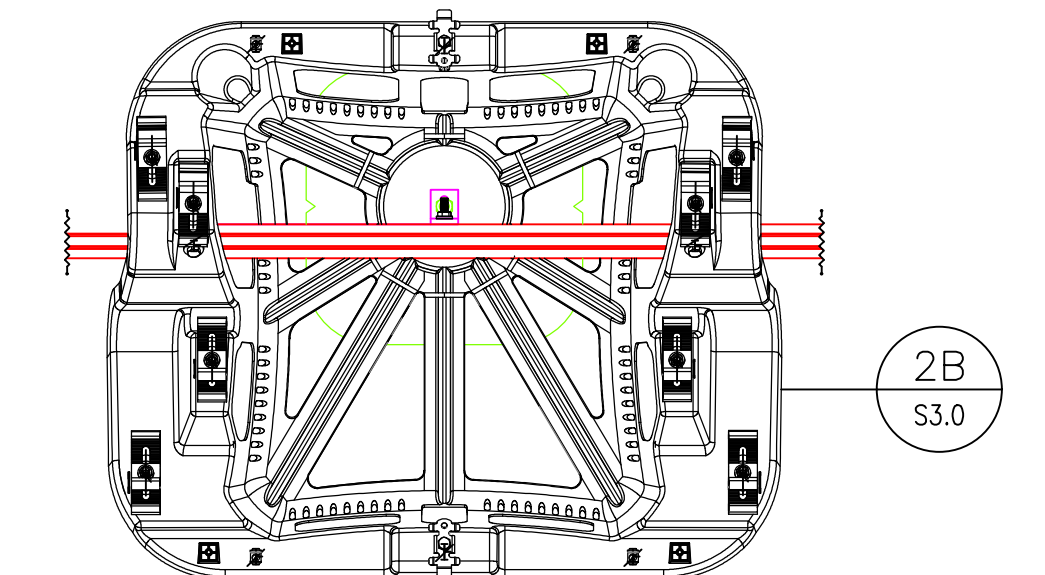
INTERNAL CORNER SUPPORT RUNNING NORTH-SOUTH SIDE VIEW



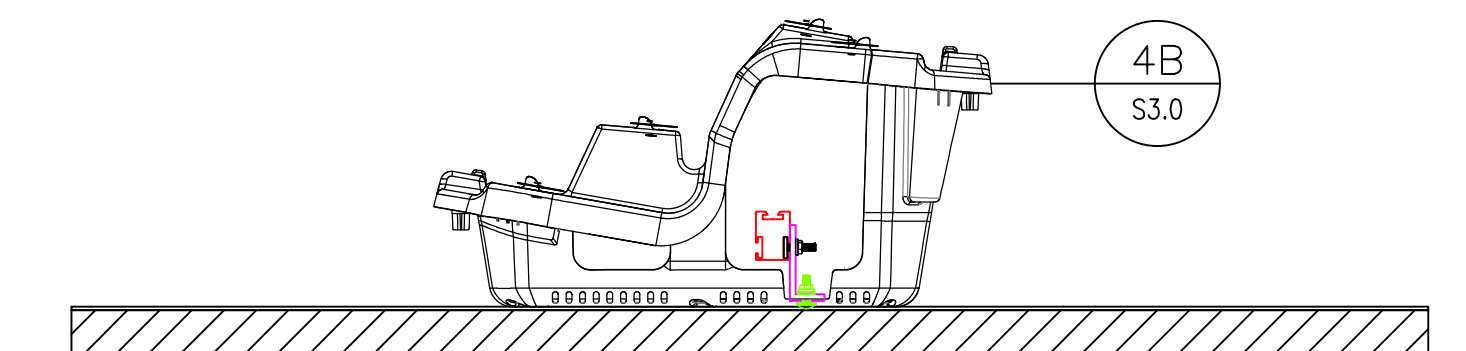
INTERNAL CORNER SUPPORT RUNNING EAST-WEST FRONT VIEW

2,3,4 INTERNAL CORNER SUPPORT DETAILS  
S3.0 NTS

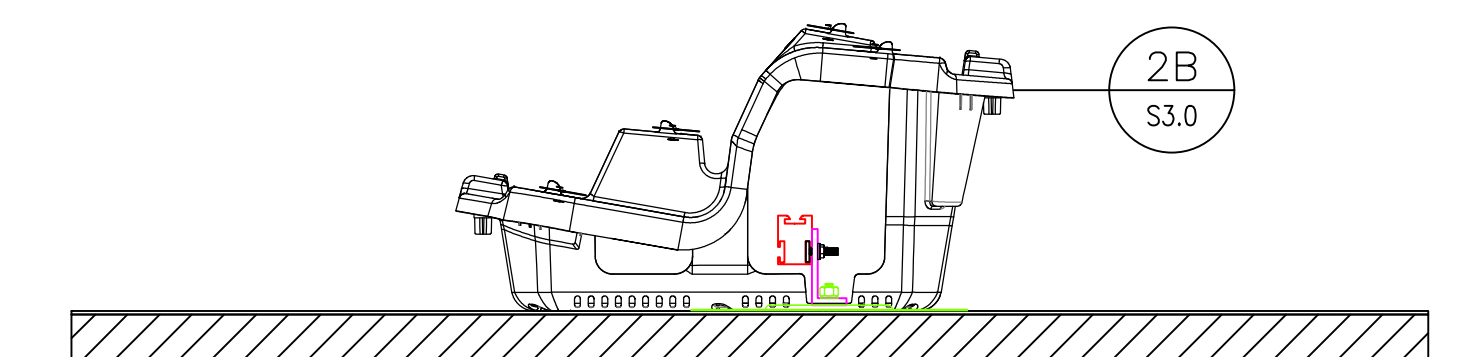
INTERNAL CORNER SUPPORT RUNNING EAST-WEST  
ALTERNATE VIEWS



TOP - ANCHOR/STRUT/FASTRACK CONNECTION



SIDE - STRUT ONLY CONNECTION



SIDE - ANCHOR/STRUT/FASTRACK CONNECTION

NOTES

PROJECT INFO	Location	Location
	Installer	Installer
	Main Contact	Main Contact
	Email	Email
	Phone	Phone

DRAWING INFO.	
Date & Time	2/27/2017 1:34 PM
Prepared/Approved by	JC LR
Sheet Name	S3.0