



Sollega FastRack String Inverter Mount

- Invert in the array
- 20° Tilt
- Ballast & mechanical attachment options
- Flexible Strut configuration
- Mount most string inverters, combiner boxes and disconnects
- Quick to install



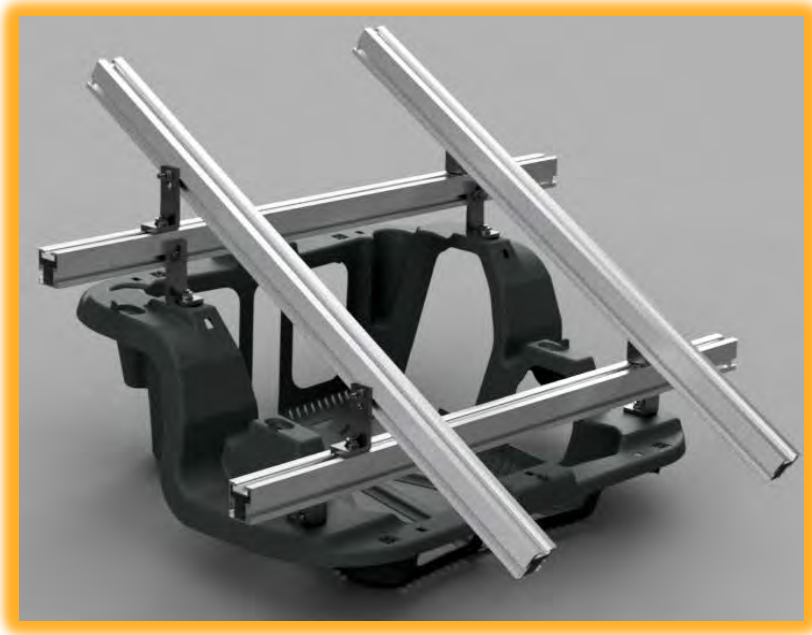
**Compatible String Inverter:**

ABB
Canadian Solar
Chint Power Systems
Delta
Fronius
GE Energy
HIQ
Huawei
Kaco
Schuco USA
SMA Solar
SolarEdge
Solectria

If string inverter is mounted within 1 foot of the array,
it meets the NEC 2014 rapid shutdown requirements

Warranty	25 years
Dimensions without rails	24.25 x 29 x 14" (L x W x H)
Weight	4.75 lbs.
Material	BASF Ultramid [®] glass reinforced nylon
Certifications	PE Stamp

